

TECHNICAL CATALOGUE

---

# AUTOMATIC AIR-VENT VALVES





ITAP SpA, founded in Lumezzane (Brescia) in 1972, is currently one of the leading production companies in Italy of valves, fittings and distribution manifolds for plumbing and heating systems. Thanks to fully automated production processes, with 72 tooling machines and 51 assembly lines, we are able to produce 200,000 pieces per day. Our innate pursuit for innovation and observance of technical regulations is supported by the company certification ISO 9001: 2008. The company has always considered its focus on quality as the main tool to obtain significant business results: today ITAP SpA is proud to offer products bearing the approval of numerous international certifying bodies.





AUTOMATIC  
AIR-VENT VALVES

ACCESSORIES

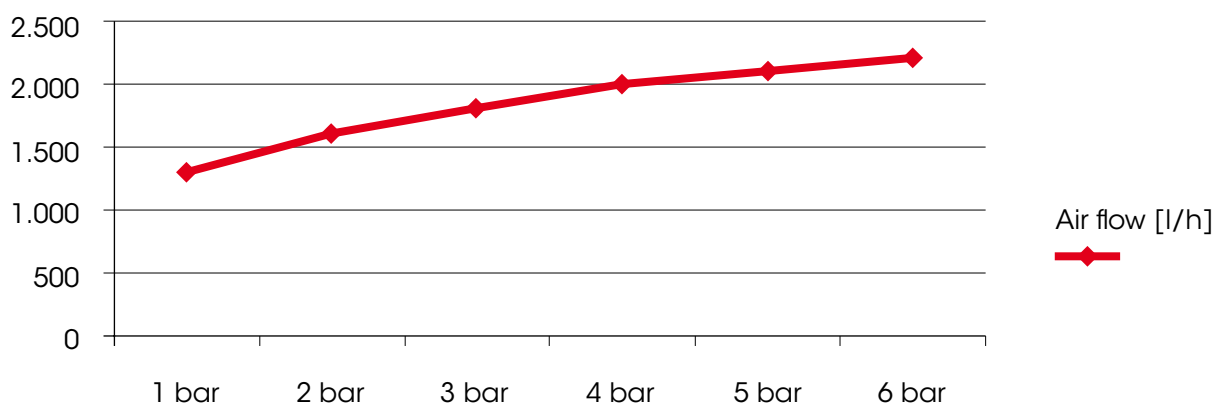
## OPERATION AND INSTALLATION

The automatic air vent valves are installed in order to remove the air that accumulates in heating and air conditioning systems. Thanks to their functioning, without need of manual operation, they allow to avoid for certain and permanently harmful phenomena that could compromise the life and the performance of any systems. Especially, it is possible to limit the negative effect of galvanic corrosion (due to extreme presence of oxygen inside the piping) and cavitation. Moreover, these valves allow to optimize the heating and cooling power of each system, since they avoid the formation of air pockets inside radiators and fan-coil units.

Such valves have to be installed in vertical position only, on top of each systems and, generally, where it is the evidence of air pockets' formation (distribution manifolds, riser pipes, etc.)

The air flow of these valves raises in accordance to the working pressure of a system, up to reach a maximum figure when the pressure raises up to 6 bar.

Here below there is the flow rate chart of these valves, when the system is being filled: as it is possible to read, the chart includes a maximum working pressure of 6 bar, since this figure is higher than an usual working pressure in heating and air-conditioning system (generally they work till 3 bar).



# 362

## AUTOMATIC AIR-VENT VALVE



SIZE	PRESSURE	CODE	PACKING
3/8"	10bar/145psi	3620038	10/120
1/2"	10bar/145psi	3620012	10/120
3/4"	10bar/145psi	3620034	10/120
1"	10bar/145psi	3620100	10/100

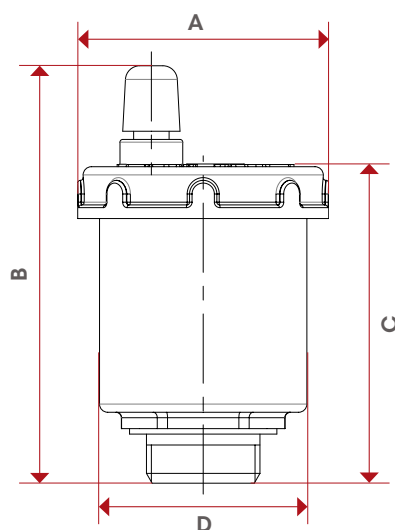
### TECHNICAL SPECIFICATIONS

Body in nickel-plated brass.  
 Float in polyethilenic resin.  
 O-ring in NBR.  
 Maximum working temperature: 110°C.  
 Maximum discharge pressure: 6 bar.  
 Threads: ISO228 (equivalent to DIN EN ISO 228 and BS EN ISO 228).

### MATERIALS

POS.	DESCRIPTION	N.	MATERIAL
-	Body	-	Brass UNI EN 1982
-	Cap	-	Brass CW617N
-	Float	-	Polyetylen
-	Cap	-	Polyetylen
-	O-Ring	-	NBR
-	Mechanism	-	Brass
-	Junction	-	Acetal resin
-	Lever	-	Acetal resin
-	Stop	-	Acetal resin

### OVERALL DIMENSIONS



	3/8"	1/2"	3/4"	1"
A	46	46	50	50
B	75,5	76,5	100	100
C	57	58	85	85
D	38	38	42	42
E	8	9	10	12
Kg/cm <sup>2</sup> bar	10	10	10	10
LBS - psi	145	145	145	145

### CERTIFICATIONS



# 362R

AUTOMATIC  
AIR-VENT VALVE,  
COMPACT



SIZE	PRESSURE	CODE	PACKING
3/8"	10bar/145psi	3620038R	10/120
1/2"	10bar/145psi	3620012R	10/120

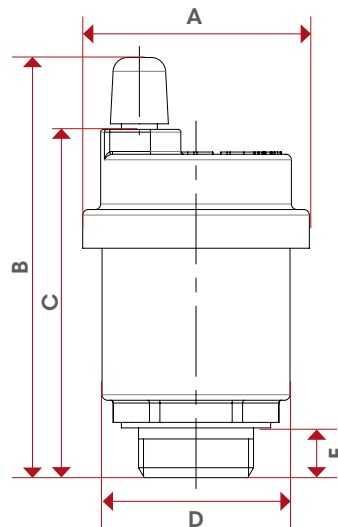
## TECHNICAL SPECIFICATIONS

Body in nickel-plated brass.  
 Float in polyethilenic resin.  
 O-ring in NBR.  
 Maximum working temperature: 110°C.  
 Maximum discharge pressure: 6 bar.  
 Threads: ISO228 (equivalent to DIN EN ISO 228 and BS EN ISO 228).

## MATERIALS

POS.	DESCRIPTION	N.	MATERIAL
-	Body	-	Brass UNI EN 1982-2000
-	Cap	-	Brass CW617N
-	Float	-	Polyetylen
-	Cap	-	Polyetylen
-	O-Ring	-	NBR
-	Mechanism	-	Brass
-	Junction	-	Acetal resin
-	Lever	-	Acetal resin
-	Stop	-	Acetal resin

## OVERALL DIMENSIONS



	3/8"	1/2"
A	41	41
B	75	76
C	62	63
D	34	34
E	8	9
Kg/cm <sup>2</sup> bar	10	10
LBS - psi	145	145

## CERTIFICATIONS





# 363

## AUTOMATIC AIR-VENT VALVE, SIDE OUTLET



SIZE	PRESSURE	CODE	PACKING
3/8"	10bar/145psi	3630038	10/120
1/2"	10bar/145psi	3630012	10/120

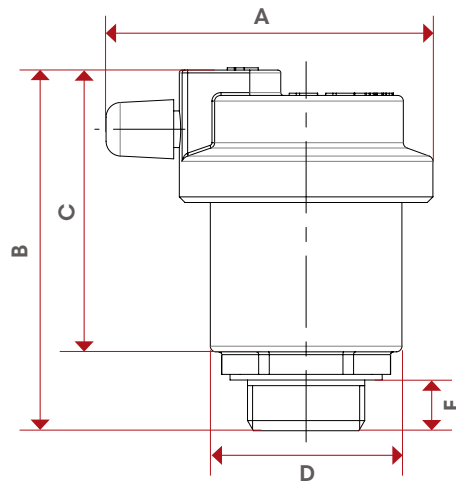
## TECHNICAL SPECIFICATIONS

Body in nickel-plated brass.  
 Float in polyethilenic resin.  
 O-ring in NBR.  
 Maximum working temperature: 110°C.  
 Maximum discharge pressure: 6 bar.  
 Threads: ISO228 (equivalent to DIN EN ISO 228 and BS EN ISO 228).

## MATERIALS

POS.	DESCRIPTION	N.	MATERIAL
-	Body	-	Brass UNI EN 1982-2000
-	Cap	-	Brass CW617N
-	Float	-	Polyetylen
-	Cap	-	Brass
-	O-Ring	-	NBR
-	Mechanism	-	Brass
-	Spring	-	Stainless steel
-	Piston valve	-	Silicone
-	Lever	-	Acetal resin

## OVERALL DIMENSIONS



	3/8"	1/2"
A	58	58
B	64	64
C	50,5	50
D	34	34
E	8,5	9
Kg/cm <sup>2</sup> bar	10	10
LBS - psi	145	145

## CERTIFICATIONS



# 364

## AUTOMATIC AIR-VENT VALVE, SIDE INLET



SIZE	PRESSURE	CODE	PACKING
3/8"	10bar/145psi	3640038	10/120
1/2"	10bar/145psi	3640012	10/120

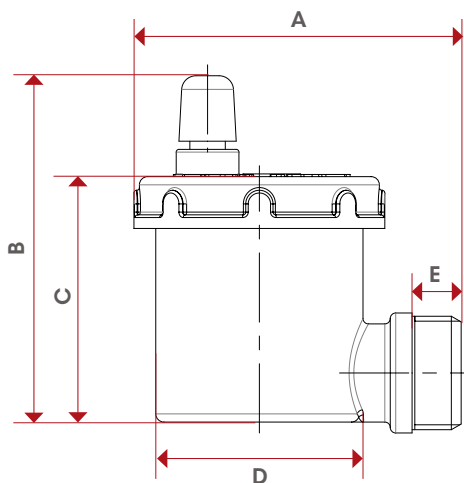
### TECHNICAL SPECIFICATIONS

Body in nickel-plated brass.  
 Float in polyethilenic resin.  
 O-ring in NBR.  
 Maximum working temperature: 110°C.  
 Maximum discharge pressure: 6 bar.  
 Threads: ISO228 (equivalent to DIN EN ISO 228 and BS EN ISO 228).

### MATERIALS

POS.	DESCRIPTION	N.	MATERIAL
-	Body	-	Brass UNI EN 1982-2000
-	Cap	-	Brass CW617N
-	Float	-	Polyetylen
-	Cap	-	Polyetylen
-	O-Ring	-	NBR
-	Mechanism	-	Brass
-	Junction	-	Acetal resin
-	Lever	-	Acetal resin
-	Stop	-	Acetal resin

### OVERALL DIMENSIONS



	3/8"	1/2"
A	60	60
B	63,5	63,5
C	45	45
D	38	38
E	9	9
Kg/cm <sup>2</sup> bar	10	10
LBS - psi	145	145

### CERTIFICATIONS



# 364R

AUTOMATIC  
AIR-VENT VALVE,  
SIDE INLET,  
COMPACT



SIZE	PRESSURE	CODE	PACKING
3/8"	10bar/145psi	3640038R	10/120
1/2"	10bar/145psi	3640012R	10/120

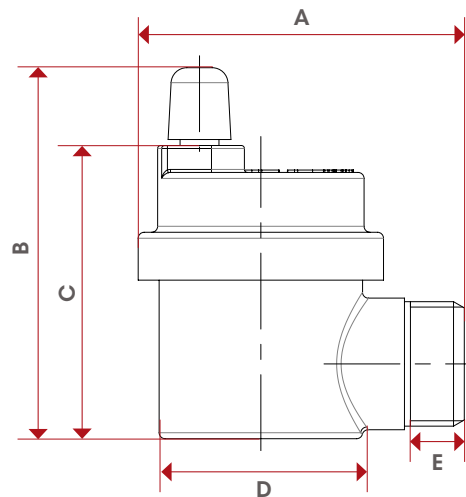
## TECHNICAL SPECIFICATIONS

Body in nickel-plated brass.  
 Float in polyethilenic resin.  
 O-ring in NBR.  
 Maximum working temperature: 110°C.  
 Maximum discharge pressure: 6 bar.  
 Threads: ISO228 (equivalent to DIN EN ISO 228 and BS EN ISO 228).

## MATERIALS

POS.	DESCRIPTION	N.	MATERIAL
-	Body	-	Brass UNI EN 1982-2000
-	Cap	-	Brass CW617N
-	Float	-	Polyetylen
-	Cap	-	Polyetylen
-	O-Ring	-	NBR
-	Mechanism	-	Brass
-	Junction	-	Acetal resin
-	Lever	-	Acetal resin
-	Stop	-	Acetal resin

## OVERALL DIMENSIONS



	3/8"	1/2"
A	54,5	54,5
B	61	62
C	48	49
D	34	34
E	9	10
Kg/cm <sup>2</sup> bar	10	10
LBS - psi	145	145

## CERTIFICATIONS



# 365

## AUTOMATIC CHECK VALVE



SIZE	PRESSURE	CODE	PACKING
3/8"	10bar/145psi	3650038	50/1150
1/2"	10bar/145psi	3650012	50/550

### TECHNICAL SPECIFICATIONS

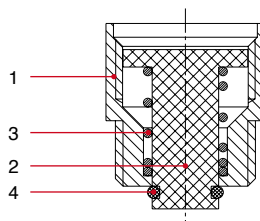
Suitable for the use together with automatic air vent valves art. 362 - 362R - 363 - 364 - 364R.

Body in nickel-plated brass.

Maximum working temperature: 110°C.

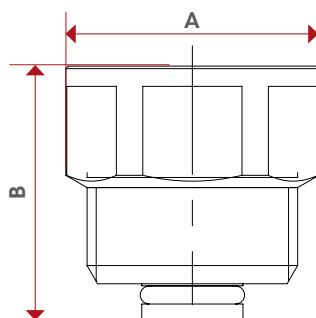
Threads: ISO228 (equivalent to DIN EN ISO 228 and BS EN ISO 228).

### MATERIALS



POS.	DESCRIPTION	N.	MATERIAL
1	Body	1	Nickel-plated brass CW614N
2	Shutter	1	Polyethylene
3	Spring	1	Stainless steel
4	O-Ring	1	NBR

### OVERALL DIMENSIONS



	3/8"	1/2"
A	21,7	25
B	26,5	25,5
Kg/cm <sup>2</sup> bar	10	10
LBS - psi	145	145

### CERTIFICATIONS



# 299

## PLUG FOR RADIATORS WITH AIR VENT VALVE



SIZE	PRESSURE	CODE	PACKING
1" DX	10bar/145psi	2990100D	10/120
1" SX	10bar/145psi	2990100S	10/120

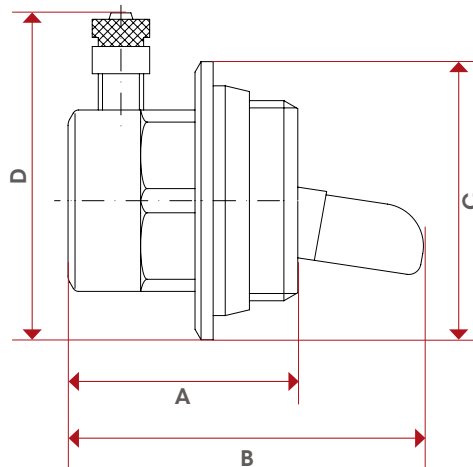
### TECHNICAL SPECIFICATIONS

Body in chrome-plated brass.  
 Nominal pressure: 10 bar.  
 Maximum working temperature: 110°C.  
 Available sizes: 1" right and 1" left.  
 Thread ISO228 (equivalent to DIN EN ISO 228 and BS EN ISO 228).

### MATERIALS

POS.	DESCRIPTION	N.	MATERIAL
-	Body	1	Nickel-plated brass CW617N
-	Float	1	Polyetylen
-	Cap	1	Brass
-	Mechanism	1	Brass
-	Junction	1	Brass
-	Lever	1	Brass
-	Stop	1	Acetal resin
-	Washer	1	E.P.D.M.

### OVERALL DIMENSIONS



	<b>1"</b>
A	33
B	59
C	46
D	53
Kg/cm <sup>2</sup> bar	10
LBS - psi	145

### CERTIFICATIONS



## NOTES

We reserve the right to make improvements and changes to the products described herein and to the relative technical data, at any time and without forewarning.



ITAP S.p.A.  
Via Ruca 19  
25065 Lumezzane  
Brescia (ITALIA)  
Tel 030 89270  
Fax 030 8921990  
[www.itap.it](http://www.itap.it) - [info@itap.it](mailto:info@itap.it)