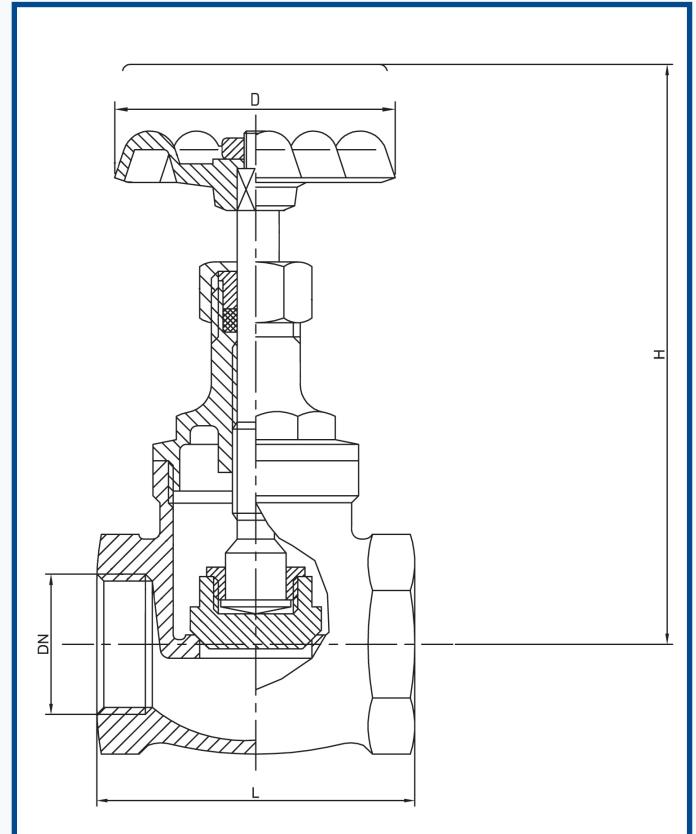




CP1006



MATERIALS	
Body:	Bronze CC491K
Bonnet:	Brass CW617N
Disc:	Brass CW614N
Disc Ring:	Brass CW614N
Stem:	Brass CW614N
Packing Gland:	Brass CW614N
Packing (1/4" - 1/2"):	PTFE
Packing (3/4" - 2"):	AF/15/MA
Packing Nut:	Brass CW617N
Handwheel:	Aluminium GD12FE

CONNECTIONS
BSP Parallel: ISO228 (equivalent to DIN 259 and BS 2779)

SIZE	1/4"	3/8"	1/2"	3/4"	1"	1 1/4"	1 1/2"	2"	2 1/2"	3"	4"	5"
L (mm)	46.0	46.0	55.0	62.0	74.0	90.0	100.0	128.0				
H (mm)	80.0	80.0	85.0	115.0	125.0	155.0	165.0	185.0				
D (mm)	50.0	50.0	55.0	60.0	70.0	80.0	80.0	95.0				
Rating	PN25	PN25	PN25	PN25	PN25	PN25	PN25	PN25				
Weight (kg)	0.220	0.220	0.320	0.550	0.800	1.300	1.500	2.500				

Pressure and temperature ratings are minimum and maximum values only and actual performance will be dependant upon application.
All images on this page are for guidance only. E&OE. We reserve the right to amend specifications, prices & products without prior notification