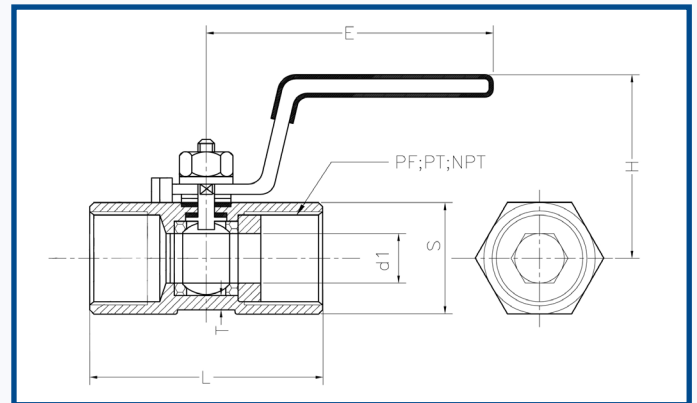
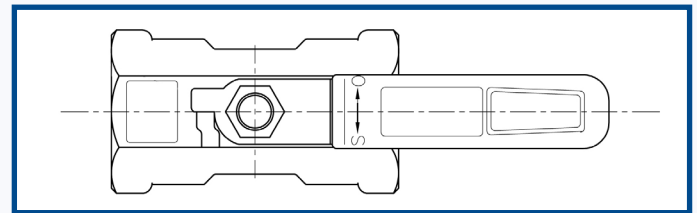




**CP101L**



**MATERIALS**

Ball:	Stainless Steel CF8M
Body:	Stainless Steel CF8M
Instert:	Stainless Steel CF8M
Handle:	Stainless Steel SS304
Seats:	PTFE
Stem Seal:	PTFE
Thrust Washer:	PTFE
Stem:	Stainless Steel SUS316

**CONNECTIONS**

BSP Parallel: ISO228 (Equivalent to DIN 259)

SIZE	1/4"	3/8"	1/2"	3/4"	1"	1 1/4"	1 1/2"	2"	2 1/2"	3"	4"	5"
d1 (mm)	5.0	7.2	9.2	12.5	15.0							
L (mm)	39.0	44.0	56.5	59.0	71.0							
H (mm)	30.5	31.0	47.0	50.5	52.0							
E (mm)	69.7	81.5	97.0	97.0	101.0							
S (mm)	17.0	21.0	25.0	32.0	38.0							
T (mm)	2.45	2.95	3.70	4.70	4.70							
Rating	PN63	PN63	PN63	PN63	PN63							
Weight (kg)	0.05	0.10	0.20	0.25	0.40							

Pressure and temperature ratings are minimum and maximum values only and actual performance will be dependant upon application.

All images on this page are for guidance only. E&OE. We reserve the right to amend specifications, prices & products without prior notification