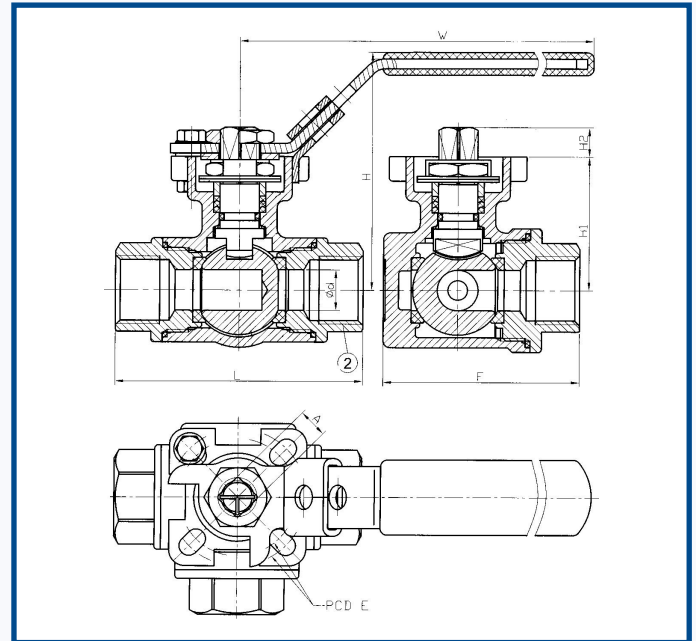




CP36LT

MATERIALS

Body:	Stainless Steel CF8M
Body Caps:	Stainless Steel CF8M
Handle:	Stainless Steel SUS304
Ball:	Stainless Steel CF8M
Spring Washer:	Stainless Steel SUS304
Stem:	Stainless Steel SUS316
Seats:	PTFE
Locking Device:	Stainless Steel SUS304
O-Ring:	Viton
Stem Packing:	PTFE
Gland:	Stainless Steel SUS304



CONNECTIONS

BSP Parallel: ISO 228 (Equivalent to DIN 259)

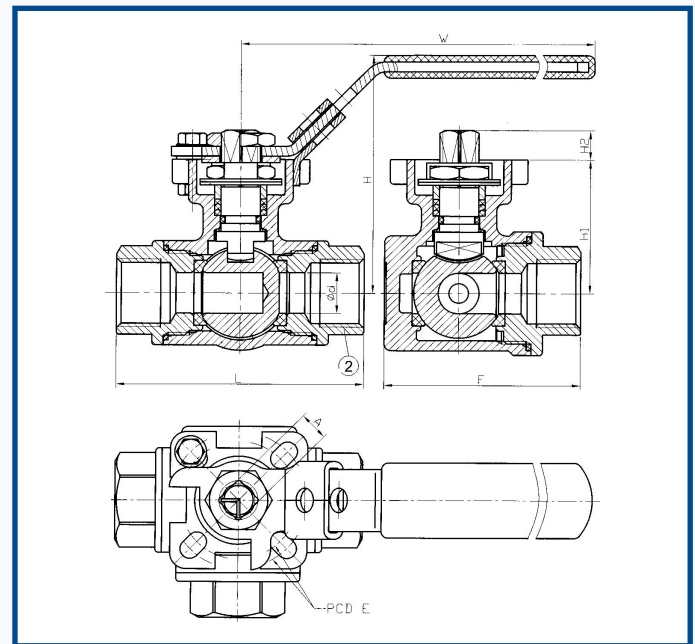
SIZE	1/4"	3/8"	1/2"	3/4"	1"	1 1/4"	1 1/2"	2"	2 1/2"	3"	4"	5"
d (mm)	11.6	12.5	12.5	16.0	20.0	25.0	32.0	38.0				
L (mm)	76.0	76.0	76.0	86.0	99.1	117.4	123.8	148.0				
F (mm)	58.5	58.5	58.5	72.1	81.8	94.7	103.9	125.5				
H (mm)	73.0	73.0	73.0	74.3	87.0	92.7	110.4	118.6				
W (mm)	123.3	123.3	123.3	123.3	152	152	182	182				
E (mm)	36/42	36/42	36/42	36/42	42/50	42/50	50/70	50/70				
H1	41.0	41.0	41.0	44.3	53.5	59.2	75.9	84.1				
H2	9.0	9.0	9.0	9.0	11.0	11.0	15.0	15.0				
A	9.0	9.0	9.0	9.0	11.0	11.0	14.0	14.0				
PN	PN63	PN63	PN63	PN63	PN63	PN63	PN63	PN63				
Weight (kg)	0.758	0.780	0.689	1.132	1.700	2.820	3.900	5.700				

Pressure and temperature ratings are minimum and maximum values only and actual performance will be dependant upon application.

All images on this page are for guidance only. E&OE. We reserve the right to amend specifications, prices & products without prior notification



CP36LL



MATERIALS	
Body:	Stainless Steel CF8M
Body Caps:	Stainless Steel CF8M
Handle:	Stainless Steel SUS304
Ball:	Stainless Steel CF8M
Spring Washer:	Stainless Steel SUS304
Stem:	Stainless Steel SUS316
Seats:	PTFE
Locking Device:	Stainless Steel SUS304
O-Ring:	Viton
Stem Packing:	PTFE
Gland:	Stainless Steel SUS304

CONNECTIONS
BSP Parallel: ISO 228 (Equivalent to DIN 259)

SIZE	1/4"	3/8"	1/2"	3/4"	1"	1 1/4"	1 1/2"	2"	2 1/2"	3"	4"	5"
d (mm)	11.6	12.5	12.5	16.0	20.0	25.0	32.0	38.0				
L (mm)	76.0	76.0	76.0	86.0	99.1	117.4	123.8	148.0				
F (mm)	58.5	58.5	58.5	72.1	81.8	94.7	103.9	125.5				
H (mm)	73.0	73.0	73.0	74.3	87.0	92.7	110.4	118.6				
W (mm)	123.3	123.3	123.3	123.3	152	152	182	182				
E (mm)	36/42	36/42	36/42	36/42	42/50	42/50	50/70	50/70				
H1	41.0	41.0	41.0	44.3	53.5	59.2	75.9	84.1				
H2	9.0	9.0	9.0	9.0	11.0	11.0	15.0	15.0				
A	9.0	9.0	9.0	9.0	11.0	11.0	14.0	14.0				
PN	PN63	PN63	PN63	PN63	PN63	PN63	PN63	PN63				
Weight (kg)	0.769	0.740	0.701	1.156	1.662	2.820	3.855	5.870				

Pressure and temperature ratings are minimum and maximum values only and actual performance will be dependant upon application.

All images on this page are for guidance only. E&OE. We reserve the right to amend specifications, prices & products without prior notification