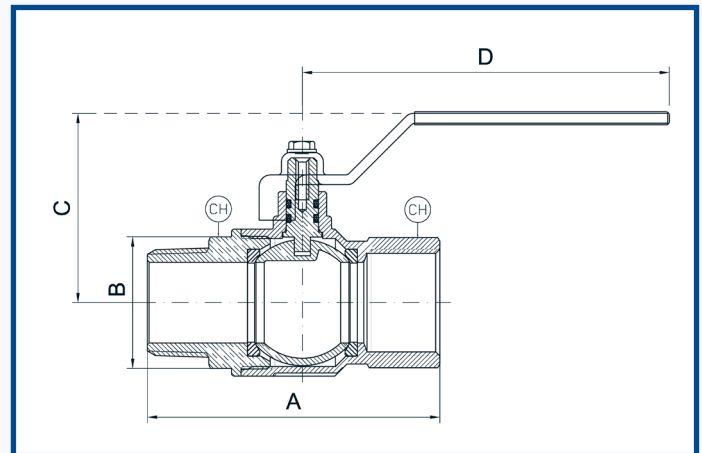




CP93L



MATERIALS

Ball:	Hard Chrome Plated Brass CW617N
Body:	Nickel Plated Brass CW617N
End Cap:	Nickel Plated Brass CW617N
Seats:	PTFE
Handle:	Zinc Plated Steel
O-Ring:	NBR-70 SH/A
O-Ring:	Viton-70 SH/A
Stem:	Brass CW614N

CONNECTIONS

Female: ISO 7/1 Rp Parallel (equivalent to DIN EN 10226-1 and BS21)
Male: ISO 7/1 R Taper (equivalent to DIN EN 10226-1 and BS21)

SIZE	1/4"	3/8"	1/2"	3/4"	1"	1 1/4"	1 1/2"	2"	2 1/2"	3"	4"	5"
A (mm)	56.9	58.9	68.0	75.5	90.5	150.0	115.5	135.5				
B (mm)	23.5	24.0	30.5	37.0	45.5	58.0	71.0	85.0				
C (mm)	41.5	41.5	49.8	56.3	60.3	76.5	92.0	99.0				
D (mm)	85.5	85.5	92.5	113.5	113.5	138.0	158.0	158.0				
CH (mm)	18.0	21.0	25.0	31.0	38.0	47.0	54.0	66.0				
Rating	PN50	PN50	PN50	PN50	PN40	PN30	PN30	PN25				
PSI	720	720	720	720	580	435	435	360				
Weight (kg)	0.150	0.150	0.250	0.300	0.500	0.900	1.300	1.850				

Pressure and temperature ratings are minimum and maximum values only and actual performance will be dependant upon application.

All images on this page are for guidance only. E&OE. We reserve the right to amend specifications, prices & products without prior notification