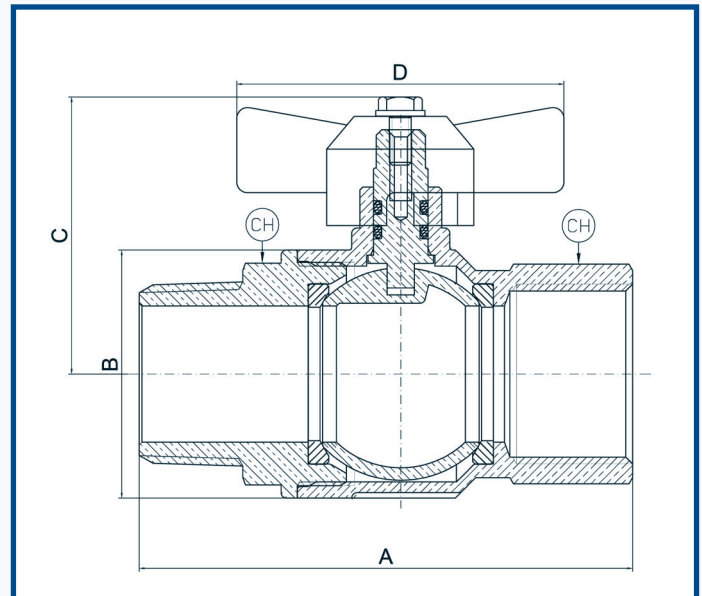


## CP93T



### MATERIALS

Ball:	Hard Chrome Plated Brass CW617N
Body:	Nickel Plated Brass CW617N
End Cap:	Nickel Plated Brass CW617N
Seats:	PTFE
Handle:	Aluminium UNI 5076
O-Ring:	NBR-70 SH/A
O-Ring:	Viton-70 SH/A
Stem:	Brass CW614N

### CONNECTIONS

Female: ISO 7/1 Rp Parallel (equivalent to DIN EN 10226-1 and BS21)

Male: ISO 7/1 Rc Taper (equivalent to DIN EN 10226-1 and BS21)

SIZE	1/4"	3/8"	1/2"	3/4"	1"	1 1/4"	1 1/2"	2"	2 1/2"	3"	4"	5"
A (mm)	56.9	58.9	68.0	75.5	90.5							
B (mm)	23.5	24.0	30.5	37.0	45.5							
C (mm)	36.5	36.5	44.3	47.3	51.3							
D (mm)	47.0	47.0	54.0	62.0	62.0							
CH (mm)	18.0	21.0	25.0	31.0	38.0							
Rating	PN50	PN50	PN50	PN40	PN40							
PSI	720	720	720	580	580							
Weight (kg)	0.150	0.150	0.250	0.300	0.450							

Pressure and temperature ratings are minimum and maximum values only and actual performance will be dependant upon application.

All images on this page are for guidance only. E&OE. We reserve the right to amend specifications, prices & products without prior notification