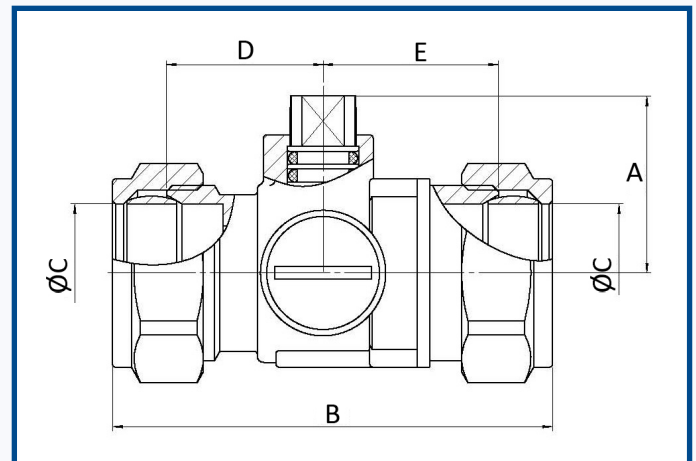



**WRAS**  
APPROVED  
PRODUCT

**CP961®**


SIZE	15mm	22mm		
A (mm)	28.2	28.2		
B (mm)	65.8	70.2		
C (mm)	15.0	22.0		
D (mm)	23.0	25.0		
E (mm)	27.0	28.0		
Rating	PN16	PN16		
Weight (kg)	0.180	0.220		

MATERIALS	
Access Port Cap:	Nickel Plated Brass DZR CW602N
Ball:	Hard Chrome Plated Brass CW617N
Body:	Nickel Plated Brass DZR CW602N
End Cap:	Nickel Plated Brass CW602N
Stem:	Nickel Plated Brass CW617N
O-Rings:	EPDM
Seal:	PTFE

CARTRIDGE RANGE (Ltrs / Min) Standard Pressure					CARTRIDGE RATING	CONNECTIONS
2.5 (Green)	4 (Grey)	6 (Black)	8 (White)	10 (Blue)	PN10	Compression x Compression
12 (Red)	15 (Lime)	18 (Green)	26 (Pink)			
CARTRIDGE RANGE (Ltrs / Min) Low Pressure					FILTERS	
3.0 (Brown)	4 (Grey)	6 (Black)	8 (White)	10 (Blue)	14 (Red)	30 Mesh or 60 Mesh

Optimum Pressure Range: 0.2 - 10 Bar (Accuracy +/- 10% Open Outlet)  
 Optimum Pressure Range (Low): 0.2 - 4 Bar (Accuracy +/- 15% Open Outlet)  
 Optional Lever Operator: Black, Blue, or Red  
 Patent: European Patent No. 0840188



Pressure and temperature ratings are minimum and maximum values only and actual performance will be dependant upon application.  
 All images on this page are for guidance only. E&OE. We reserve the right to amend specifications, prices & products without prior notification