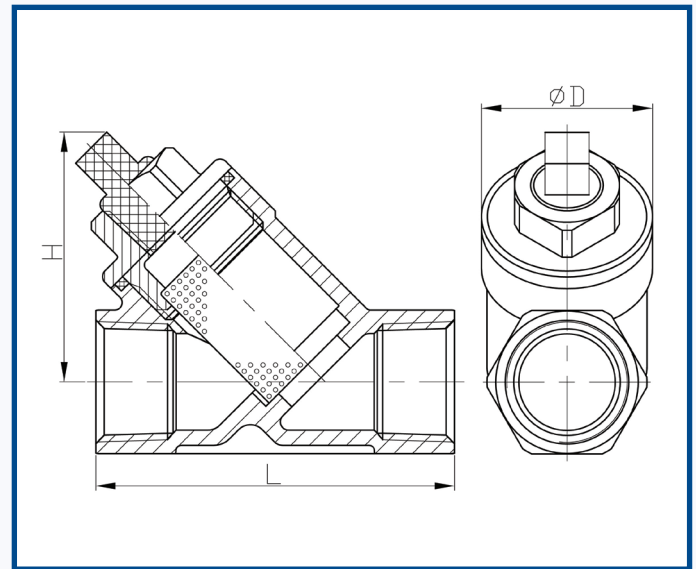




CP1013



MATERIALS

Body:	Stainless Steel CF8M
Screen:	Stainless Steel SUS304
Gasket:	PTFE
Cap:	Stainless Steel CF8M
Stopper:	Stainless Steel SUS304

CONNECTIONS

BSP Parallel: ISO228 Class A (equivalent to DIN 259)

SIZE	1/4"	3/8"	1/2"	3/4"	1"	1 1/4"	1 1/2"	2"	2 1/2"	3"	4"
L (mm)	65.0	65.0	65.0	80.0	89.0	105.0	120.0	140.0			
H (mm)	45.0	45.0	45.0	53.0	65.0	70.0	80.0	103.0			
D (mm)	31.0	31.0	31.0	36.0	45.0	50.0	59.0	75.0			
Filtration (Mesh)	40	40	40	40	30	30	30	30			
Rating	CL600	CL600	CL600	CL600	CL600	CL600	CL600	CL600			
Weight (kg)	0.260	0.230	0.240	0.360	0.690	0.860	1.021	1.880			

Pressure and temperature ratings are minimum and maximum values only and actual performance will be dependant upon application.

All images on this page are for guidance only. E&OE. We reserve the right to amend specifications, prices & products without prior notification