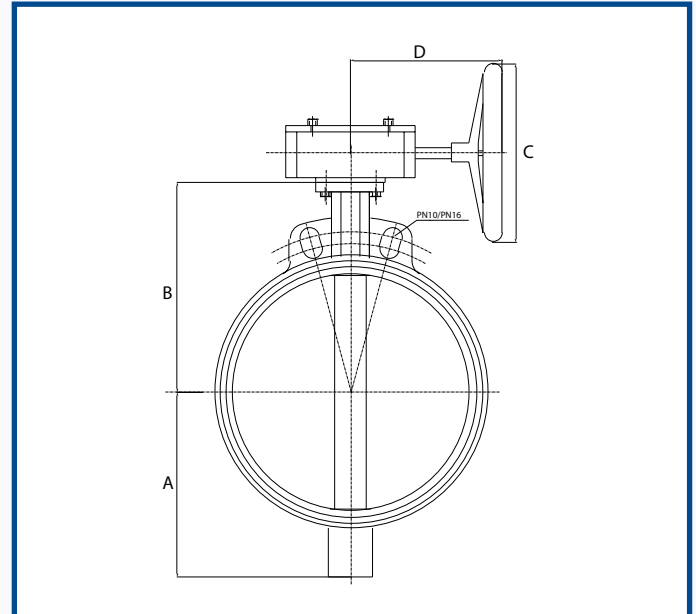




CP200W



Body:	Cast Iron GG25
Disc:	Stainless Steel CF8M / Aluminium - Bronze C954
Stem:	Stainless Steel SS416
Liner:	EPDM / NBR / Silicon / VITON
Washer:	Carbon Steel
Retainer:	Carbon Steel
Bushing:	PTFE
O-Ring:	NBR
Gasket:	Aluminium - Bronze

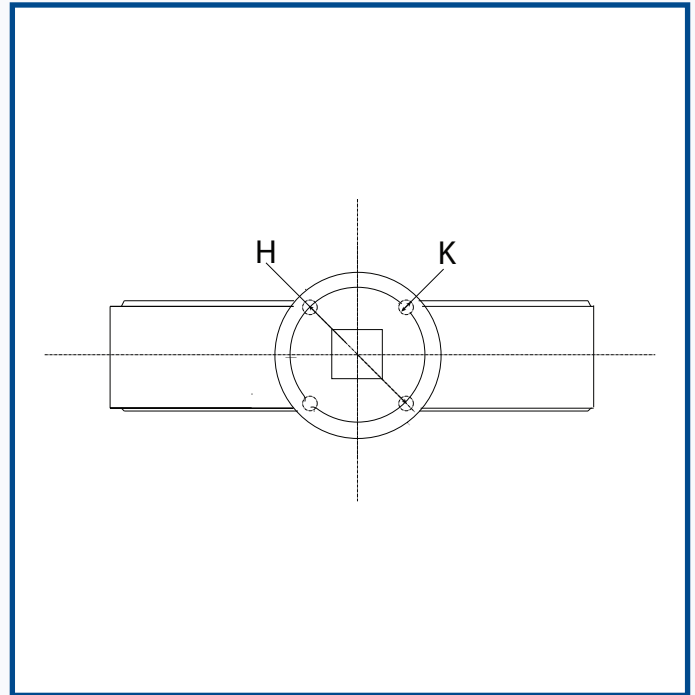
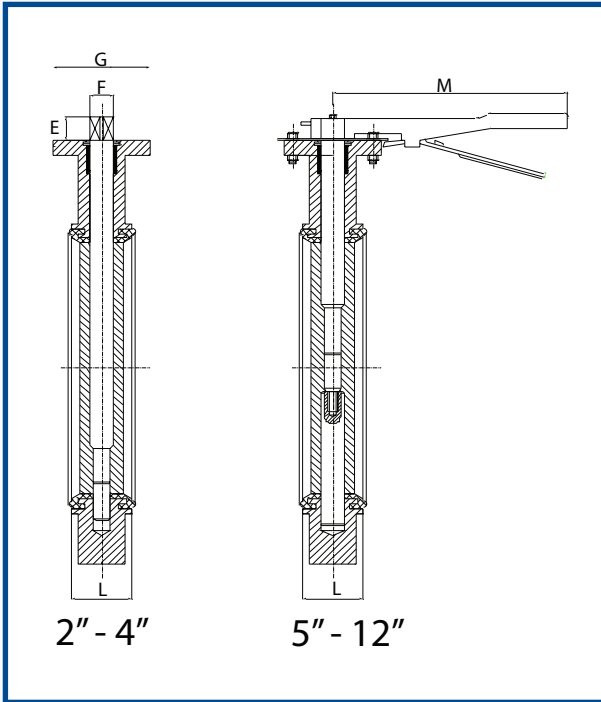
MATERIAL	Temperature Range
EPDM	-30 °C - +120 °C
BUNA	-10 °C - +120 °C
Silicon	-20 °C - +200 °C
VITON	-10 °C - +135 °C

DRILLING
PN10 / PN16 / ANSI 150 / BS10 Tables D & E

- Please Note: Temperature Range: -30 °C - +100 °C for 18" to 20" EPDM •

- Please Note: 3" May not be suitable for ANSI 150 / BS10 Table E Drilling •

Pressure and temperature ratings are minimum and maximum values only and actual performance will be dependant upon application.
All images on this page are for guidance only. E&OE. We reserve the right to amend specifications, prices & products without prior notification



SIZE	2"	2 1/2"	3"	4"	5"	6"	8"	10"	12"
A (mm)	58.0	67.0	71.5	88.0	108.0	118.0	153.0	188.0	214.0
B (mm)	140.0	152.4	159.0	178.0	190.0	203.0	241.0	273.0	311.0
L (mm)	40.2	44.0	44.0	50.5	53.4	52.4	62.5	63.5	76.2
E (mm)	13.0	13.0	13.0	13.0	13.0	13.0	18.0	18.0	18.0
L (mm)	267.0	267.0	267.0	267.0	267.0	267.0	298.0	298.0	298.0
K (mm)	4 X 10/7	4 X 10/7	4 X 10/7	4 X 10/7	4 X 10	4 X 10	4 X 12/10	4 X 12/10	4 X 14.5/12
H (mm)	70/50	70/50	70/50	70/50	70	70	102/70	102/70	125/102
G (mm)	90.0	90.0	90.0	90.0	90.0	90.0	125.0	125.0	150.0
F (mm)	11 x 11	11 x 11	11 x 11	14 x 14	14 x 14	14 x 14	17 x 17	22 x 22	22 x 22
D (mm)	233.0	233.0	233.0	233.0	233.0	233.0	226.0	226.0	226.0
C (mm)	300.0	300.0	300.0	300.0	300.0	300.0	300.0	300.0	300.0
Rating	PN16	PN16	PN16	PN16	PN16	PN16	PN16	PN16	PN10
Weight (kg) Lever	4.0	4.6	5.2	7.0	8.6	10.2	16.8	23.0	33.0
Weight (kg) Gearbox	11.8	12.4	13.0	14.8	16.4	18.0	27.0	33.2	43.2

● Please Note: Other Sizes available up to 20"●