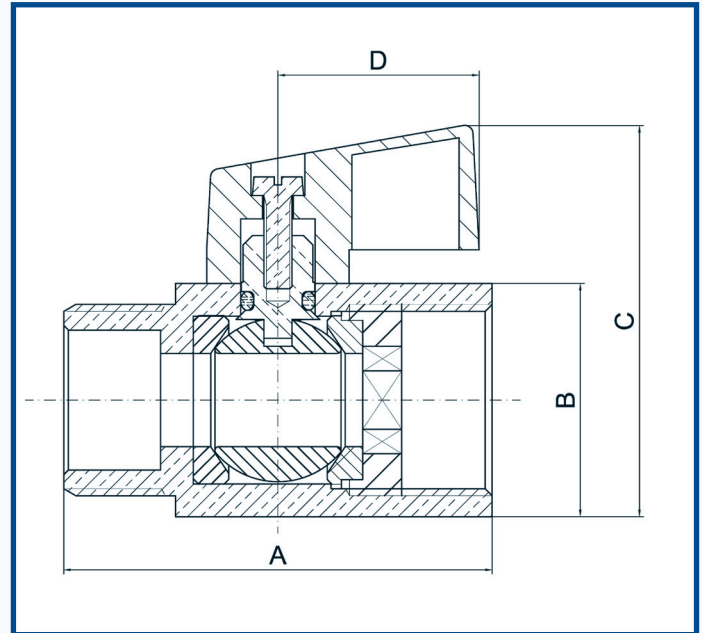




CP405



MATERIALS

Ball:	Hard Chrome Plated Brass CW614N
Body:	Hard Chrome Plated Brass CW614N
End Adapter:	Brass CW614N
Handle:	Nylon
Handle Screw:	Hard Chrome Plated Brass
O-Ring:	NBR
Seats:	PTFE
Stem:	Brass CW614N

CONNECTIONS

BSP Parallel: ISO228
(equivalent to DIN 259 and BS 2779)

SIZE	1/4"	3/8"	1/2"	3/4"	1"	1 1/4"	1 1/2"	2"	2 1/2"	3"	4"	5"
A (mm)	39.0	40.0	48.0	54.0								
B (mm)	21.0	21.0	25.0	35.0								
C (mm)	38.0	38.0	42.0	48.0								
D (mm)	22.0	22.0	22.0	22.0								
Rating	PN15	PN15	PN15	PN15								
PSI	220	220	220	220								
Weight (kg)	0.081	0.074	0.099	0.177								

Pressure and temperature ratings are minimum and maximum values only and actual performance will be dependant upon application.

All images on this page are for guidance only. E&OE. We reserve the right to amend specifications, prices & products without prior notification