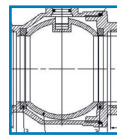
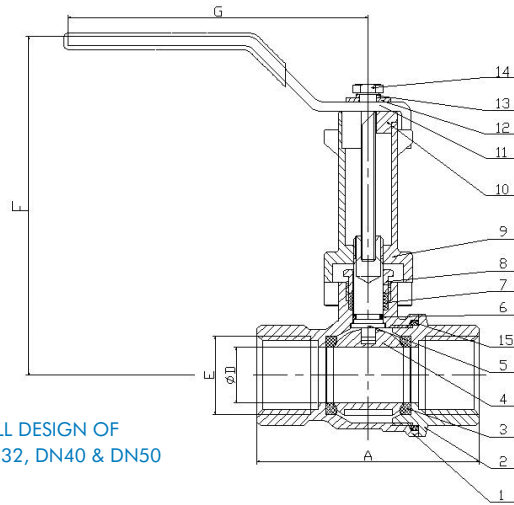


## DZR Full Bore Ball Valve c/w Extended Spindle and Lever



BALL DESIGN OF  
DN32, DN40 & DN50



### TECHNICAL DESCRIPTION

#### FUNCTION

Shut-Off

#### SIZE RANGE

DN15 - DN50 (1/2" - 2")

#### PRESSURE RATING

PN40

#### TEMPERATURE RANGE

-20°C ~ 120°C

#### BODY MARKING

DN, PN, Logo  
Batch Date, CW602N

#### COLOUR

Handle: Black

#### APPROVALS

WRAS

#### APPLICATIONS

HVAC, Potable Water Systems

### MATERIAL CONSTRUCTION AND SPECIFICATION

- |                       |  |
|-----------------------|--|
| 1. BODY:              | CW602N DZR                                 |
| 2. BONNET:            | CW602N DZR                                 |
| 3. SEAT:              | PTFE                                       |
| 4. BALL (DN15-DN25):  | CW602N DZR Chrome Plated Polished (Solid)  |
| BALL (DN32-DN50):     | CW602N DZR Chrome Plated Polished (Hollow) |
| 5. STEM (DN15-DN25):  | CW602N DZR Nickel Plated                   |
| STEM (DN32-DN50):     | CW617N Brass Nickel Plated                 |
| 6. O-RING:            | EPDM (Shore 70)                            |
| 7. PACKING:           | PTFE                                       |
| 8. LOCK NUT:          | HPb57-3 Brass                              |
| 9. EXTENSION SPINDLE: | CW617N Brass Nickel Plated                 |
| 10. ADAPTOR CAP:      | A3 White Zinc Plating                      |
| 11. HANDLE:           | Q235 and PVC Sleeve                        |
| 12. WASHER:           | A3 White Zinc Plating                      |
| 13. GASKET:           | A3 White Zinc Plating                      |
| 14. LONG SCREW:       | A3 White Zinc Plating                      |
| 15. BODY O-RING:      | EPDM (Shore 70)                            |

### CONNECTION

ISO-7/2000 Rc Taper

### DIMENSIONS (mm)

SIZE			1/2"	3/4"	1"	1 1/4"	1 1/2"	2"
CODE			CP97AE-T015	CP97AE-T020	CP97AE-T025	CP97AE-T032	CP97AE-T040	CP97AE-T050
A			58	67	81	94	102	121
D			15	20	25	32	40	50
E			1/2"	3/4"	1"	1 1/4"	1 1/2"	2"
F			91	94.5	95.5	100.5	128	137
G			81	81	114	114	158	158
PN			40	40	40	40	40	40
Kv			17	41	70	121	200	292
WEIGHT(g)			tba	tba	tba	tba	tba	tba
PACKING			10/100	10/100	5/50	4/40	2/20	1/10